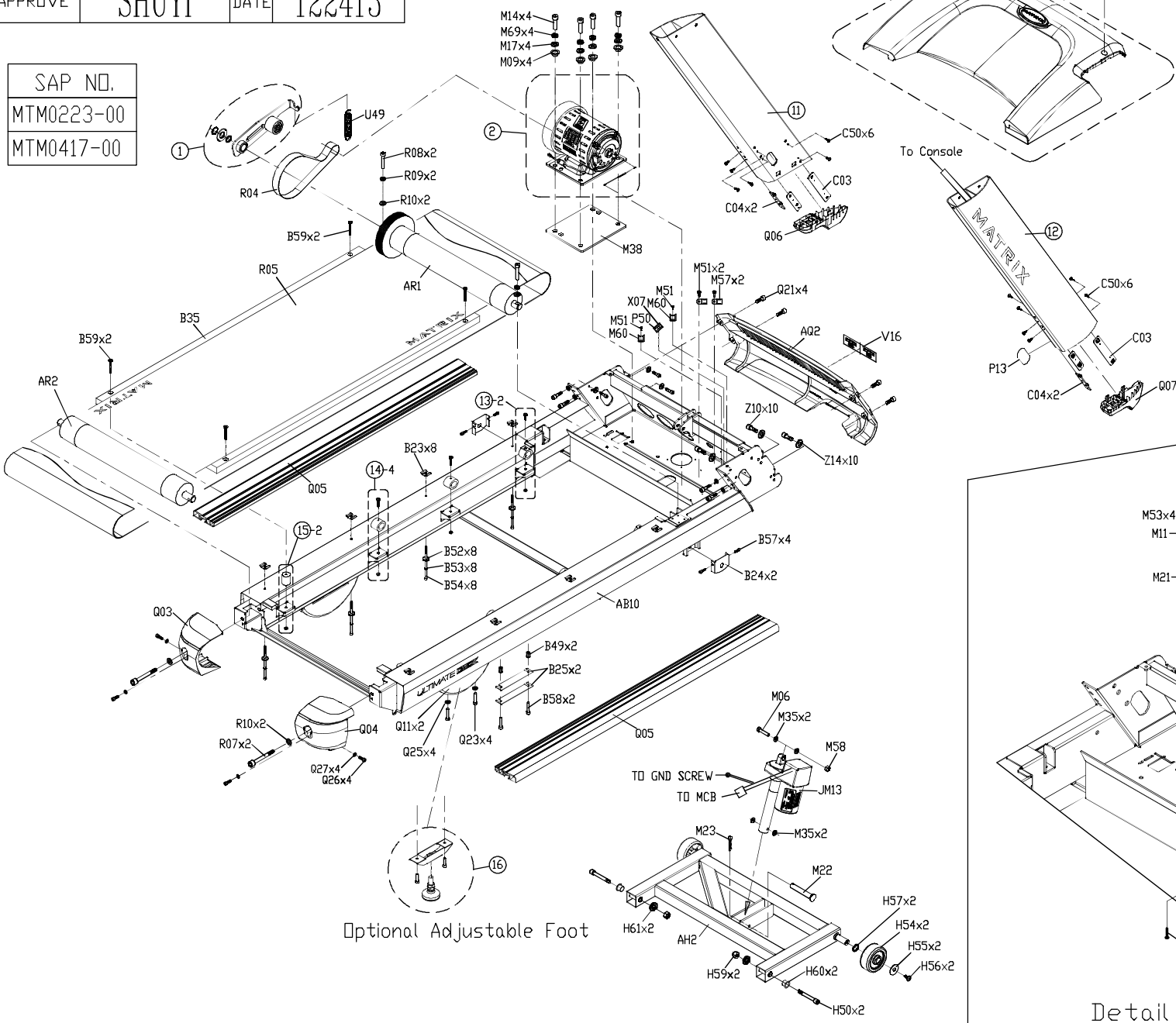
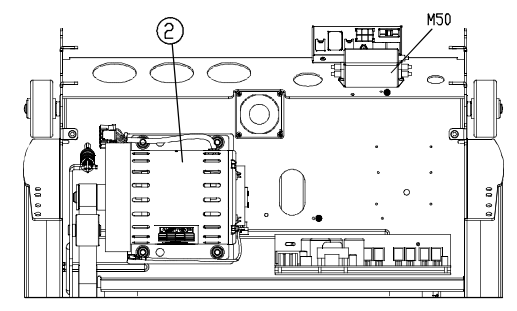


DRAWING NO	TM501E-A04		
PART NAME	Explosive Rendering;Farme		
PART NO	1000216449RH		
APPROVE	SHUYI	DATE	122413

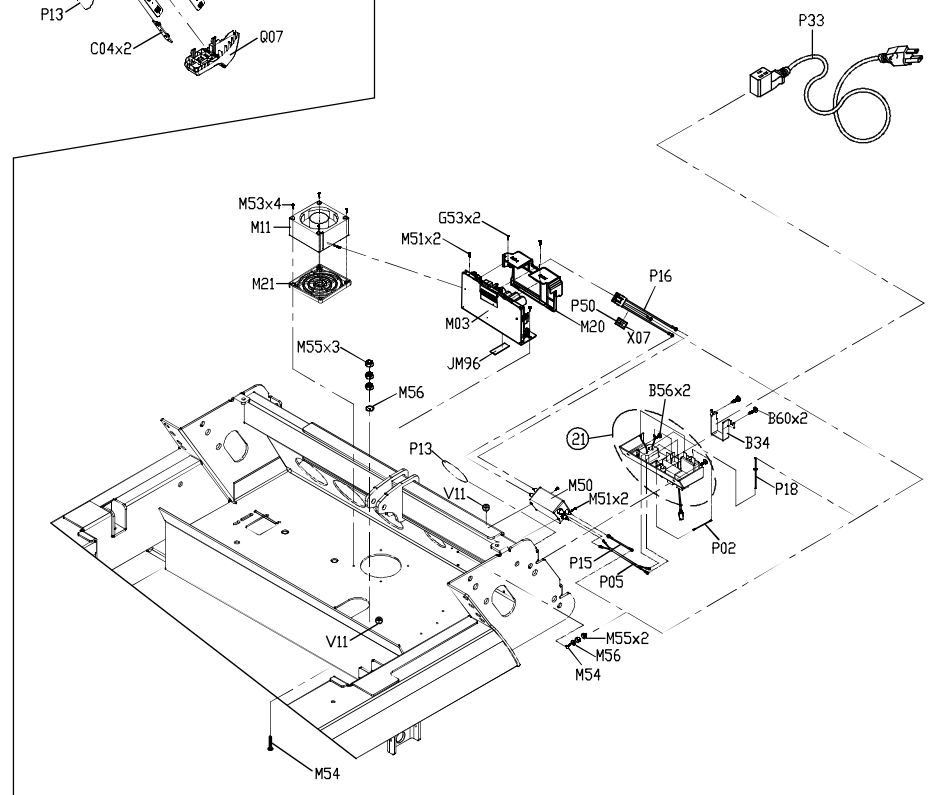
SAP NO.
MTM0223-00
MTM0417-00



Optional Adjustable Foot

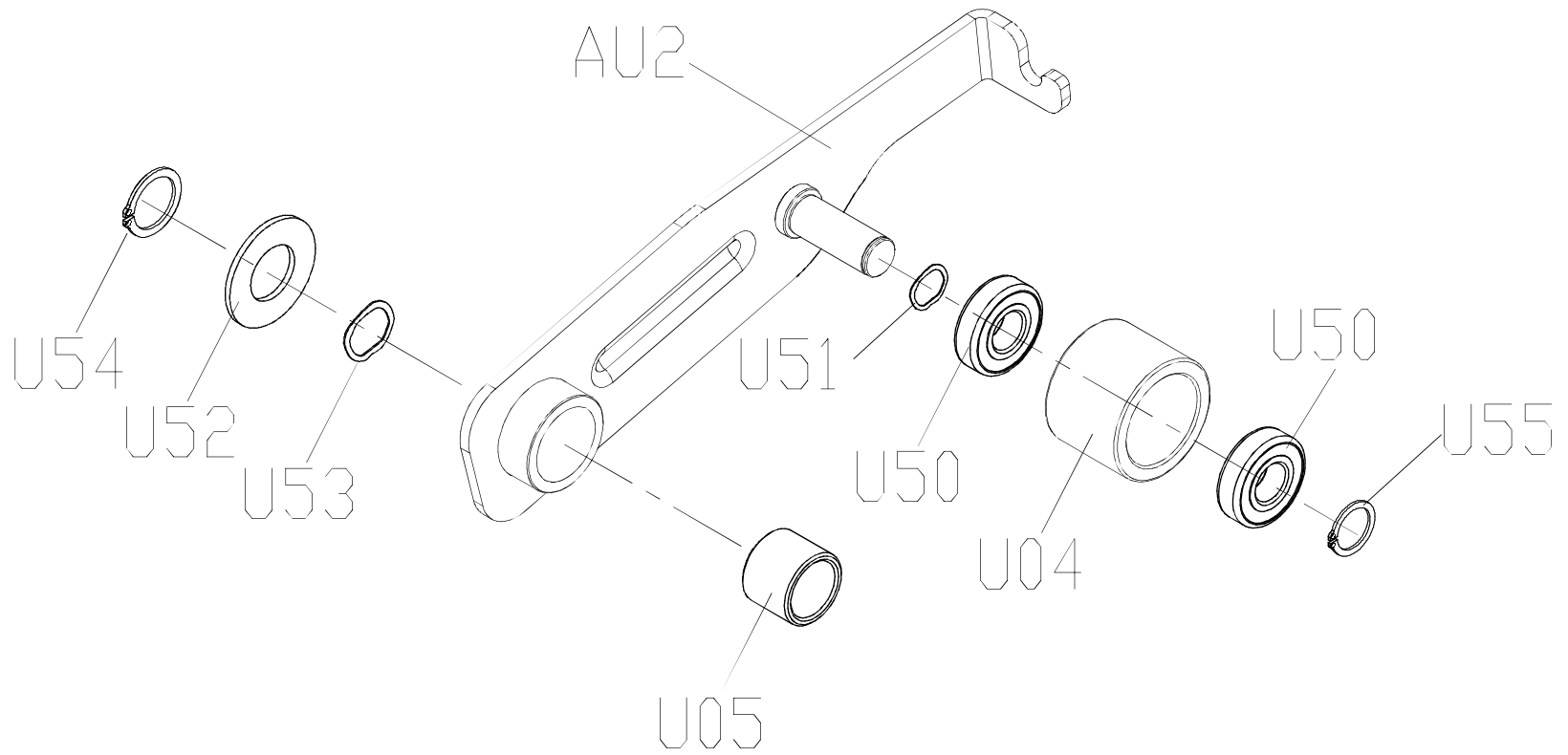


Top View of Electrical Components

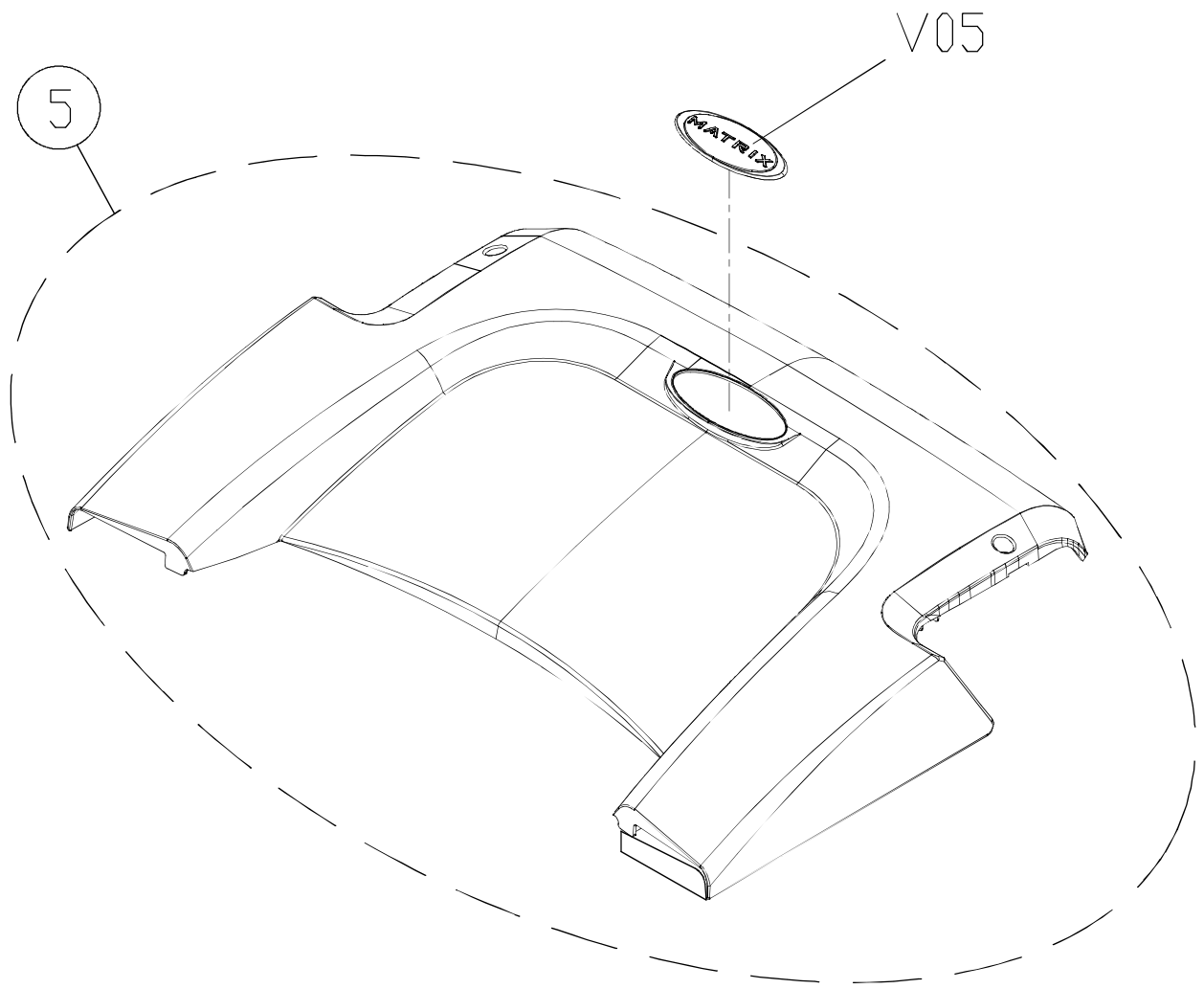


Detail View of Electrical Components

DRAWING NO	TM501-AU11		
PART NAME	TENSION WHEEL SET		
PART NO	0000088969 B		
APPROVE	SHUYI	DATE	122413

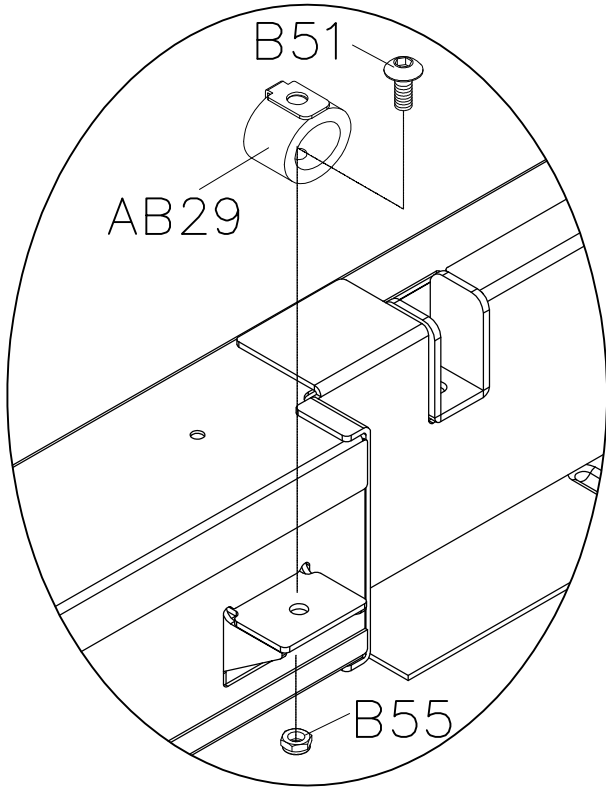
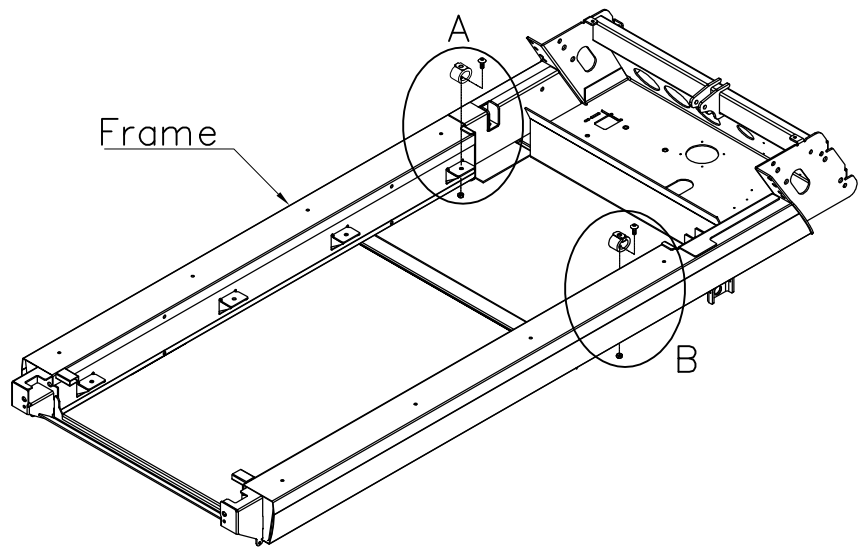


DRAWING NO	TM501-AQ10		
PART NAME	Motor Covver Net;With Lebal		
PART NO	0000088973 B		
APPROVE	SHUYI	DATE	122413

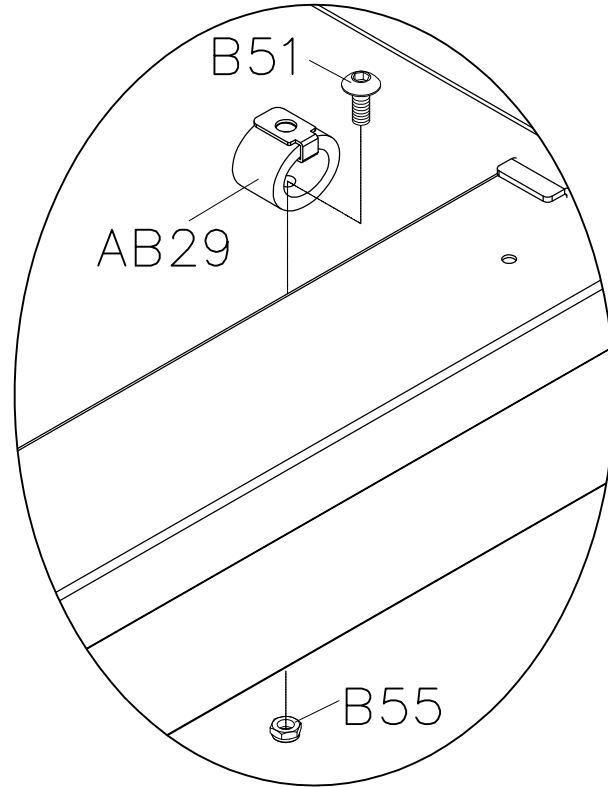


DRAWING NO	TM501-AB21		
PART NAME	Elastomer Set;Running Deck;Front		
PART NO	As Attachment		
APPROVE	S.T.C	DATE	060512

Part No.	Description
0000089487	Nai Ri
1000233263	Miner



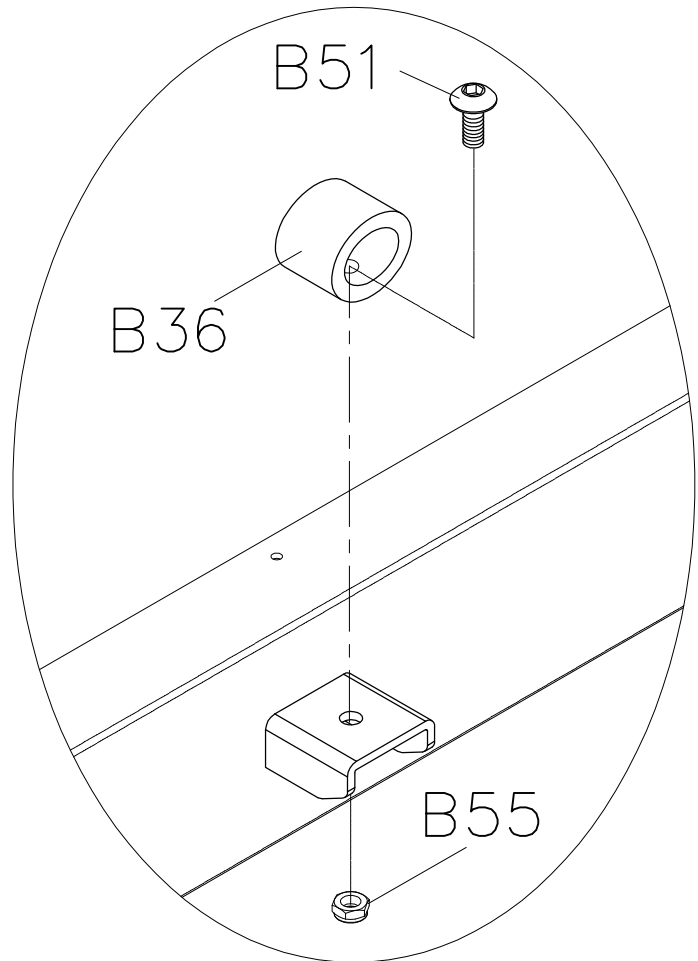
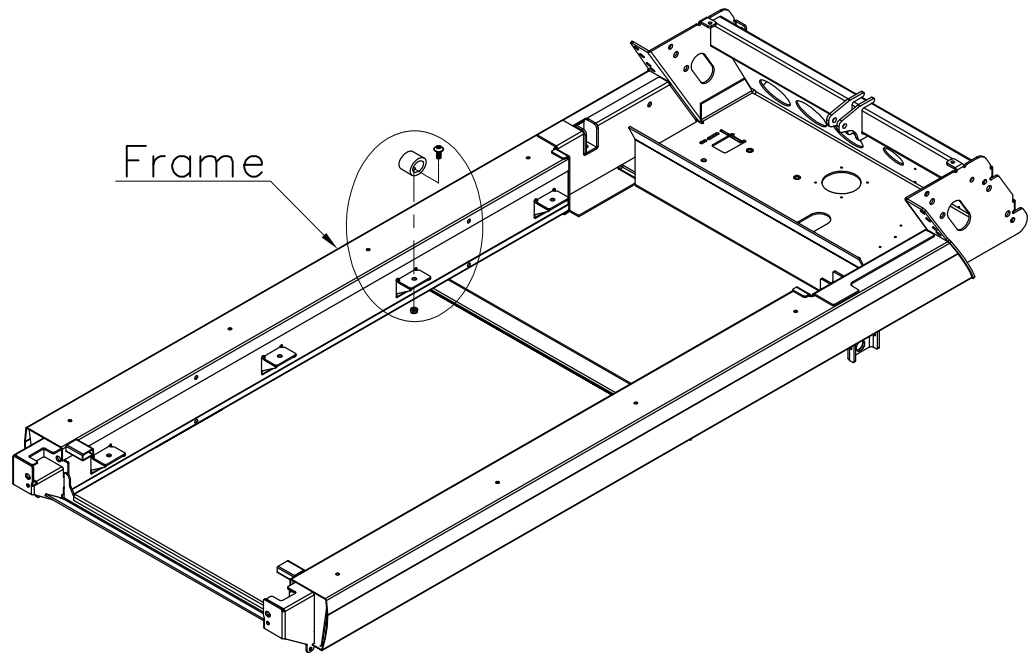
A 詳圖(1:5)



B 詳圖(1:5)

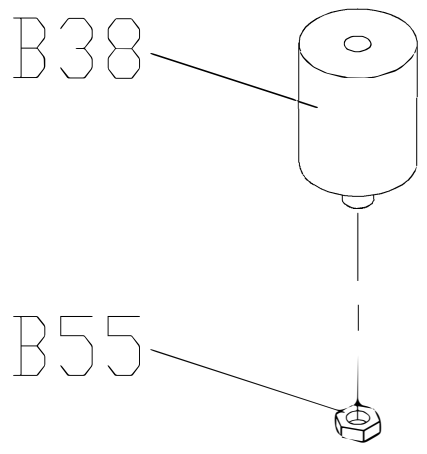
DRAWING NO	TM501-AB22		
PART NAME	Elastomer Set;Running Deck;Middle		
PART NO	As Attachment B		
APPROVE	S.T.C	DATE	060512

Part No.	Description
0000089488	Nai Ri
1000233264	Miner



A(1:5)

DRAWING NO	TM501-AB23		
PART NAME	Elastomer Set;Running Deck;Back		
PART NO			
APPROVE	SHUYI	DATE	122413

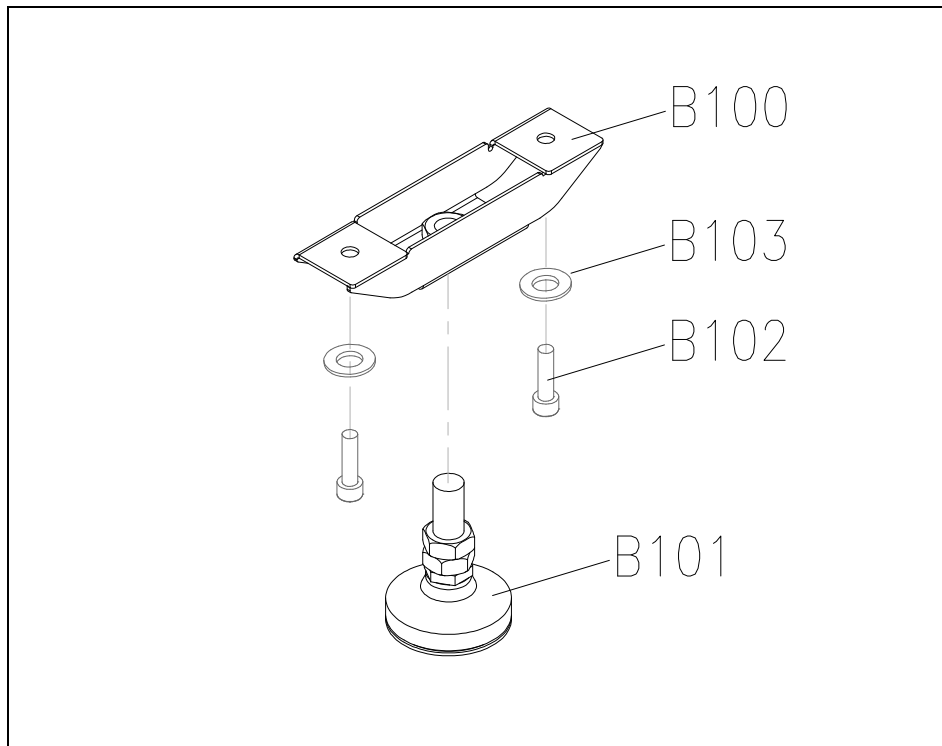




T5x-02-F

0000088993

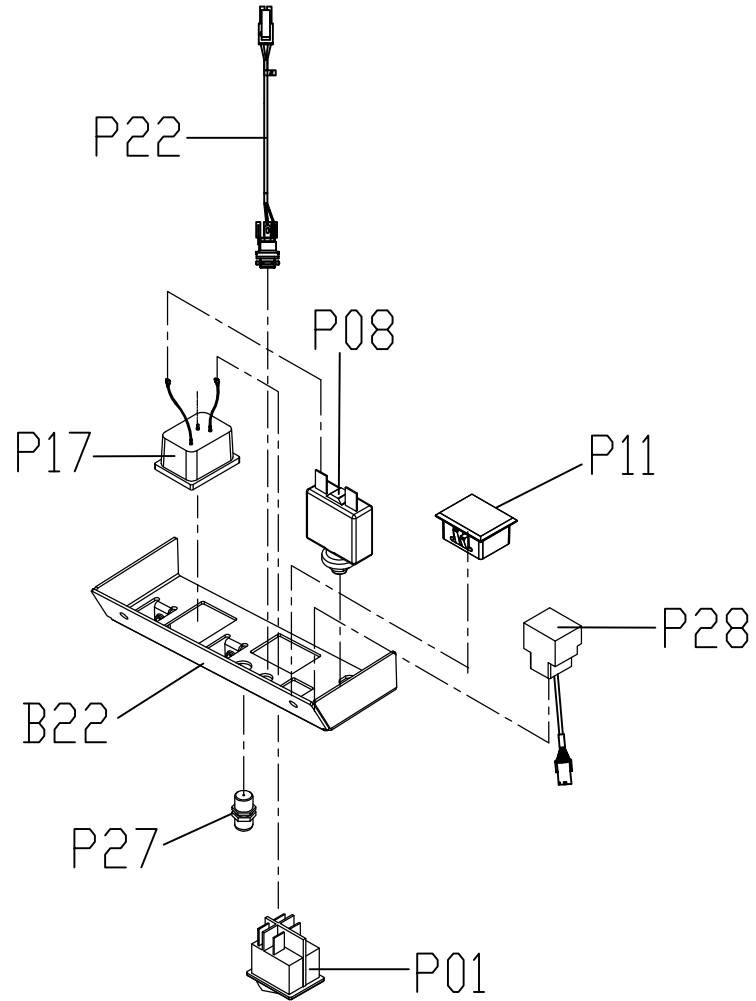
BACK ADJUSTABLE FOOT SET



Item No.	SAP Part NO	Description	QTY
B100	0000086897	FIX PLATE;FOOT PAD;BACK;	1
B101	0000088994	FOOT PAD; BACK;	1
B102	0000085362	SCREW;SH;	2
B103	005145-A	WASHER;FLAT;	2

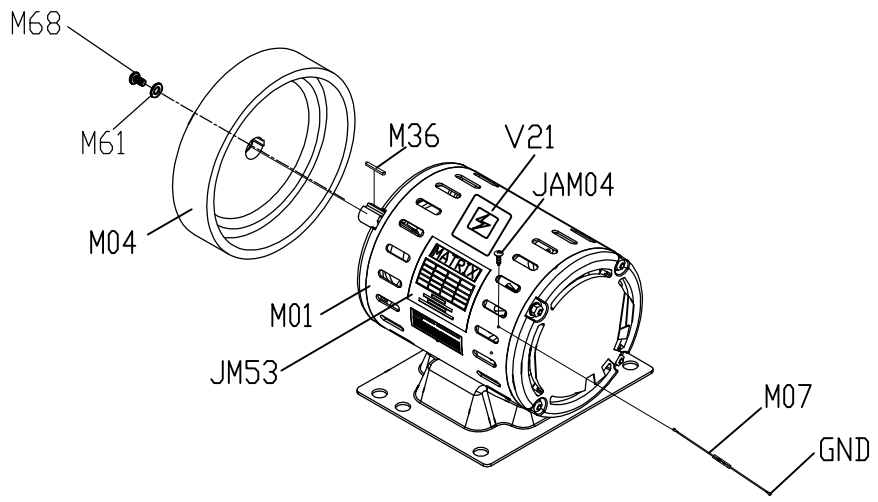
DRAWING NO	TM501E-AP12		
PART NAME	Power Switch Set		
PART NO	As Attachment		
APPROVE	SUNNY	DATE	100913

Part NO	Description
1000230705	Power Switch Set;1US;T5x-04
1000302213	Power Switch Set;2KM;T-5X/7X-04-F4



DRAWING NO	TM501C-AM1		
PART NAME	Motor Set		
PART NO	1000204065 R/C		
APPROVE	SUNNY	DATE	113011

Notes:
Deviation: under 0.4mm



DRAWING NO	TM501-AQ11		
PART NAME	Motor Cover Set		
PART NO	0000088989 B		
APPROVE	SHUYI	DATE	100411

